



**CENTRAL ELECTRICITY SUPPLY UTILITY OF ODISHA**  
**OFFICE OF THE SUPERINTENDING ENGINEER:**

ELECTRICAL CIRCLE: PARADEEP  
AT/PO-BHUTMUNDAI, DIST-JAGATSINGHPUR  
E Mail-sepdp@cescoorissa.com

No. 401<sup>(16)</sup>

Dtd. 04.03.2020

**SHORT QUOTATION CALL NOTICE**

Sealed Quotations are hereby invited by the undersigned from the reputed firm / manufacturers to supply the following MR materials as per enclosed approved GTP. The quotation should reach this office before dt. **18.03.2020 by 2 P.M.** and the same shall be open on same day at 3 PM. in the presence of supplier or their authorized representatives in the office of the undersigned.

Sl.No.	Name of the material	Unit	Unit Price (Inclusive all taxes & duties)
1	PVC Service connection bracket (Medium gauge, ISI marked)	No.	
2	ISI marked 4mm <sup>2</sup> , 2- core PVC Aluminum wire	Km.	
3	No.10 GI wire	Kg.	

The quotationer's should submit the detailed quantity of materials available with them alongwith the terms and conditions for supply.

**Terms and Conditions**

1. The quoted price must be inclusive of all taxes and duties including GST.
2. The sample should be submitted in a sealed cover for verification at the time of the opening of the quotation. The materials must be in conformity with relevant ISS.
3. The price of those bidders will only be considered where the submitted sample shall be accepted.
4. The bidders are also required to accept the approved GTP of CESU as annexed to (Annexure-1,2 & 3) without any variance.
5. The following documents are also to be submitted alongwith their willingness.
  - i) Copy of GST Registration Certificate.
  - ii) Copy of PAN
  - iii) Copy of Dealer / Distributor licensee from the authorized manufacturer.
  - iv) Copies of Purchase orders successfully executed, users Performance Certificate, Type Test Report if any.
6. EMD 1% of the purchase order amount to be deposited in shape of Bank Draft at the time of acceptance of the purchase order duly pledged in favour of **Superintending Engineer (Elect.), Electrical Circle, CESU, Paradeep**. No previous EMD will be adjusted.
7. No telegraphic Tender will be accepted.
8. The selected bidders are required to deposit 10% of the purchase order value towards security in shape of Bank Guarantee / Demand Draft duly pledged in favour of **Superintending Engineer (Elect.), Electrical Circle, CESU, Paradeep** validity of which shall cover 12 months of guarantee period from the date of delivery and a further period of 90 days over the said guarantee period during which no interest will be paid on the said amount. In case of failure to submit the Security Amount in shape of Bank Guarantee / Demand Draft, the said amount will be deducted from the bill for retention with forfeiture of E.M.D.

(P.T.O.)

9. The materials shall be delivered at Choudwar Store.
10. The other general terms and conditions shall be specified in detail in the purchase order.
11. The enrolled price will be valid for 1 year from the date of resolution of purchase committee for finalization of Unit Rate of the above M/R materials.

The undersigned reserves every right to reject one or all quotations without assigning any reasons and thereof.

Yours faithfully,

  
**SUPERINTENDING ENGINEER  
ELECT.CIRCLE, PARADEEP**

CC to

- 1) The C.G.M. (Tech) / CFO, CESU hqrs, Bhubaneswar for favour of kind information.
- 2) The Sr. G.M. (IT), CESU, Bhubaneswar for information & upload the short quotation in official website of CESU for wide circulation.
- 3) The Superintending Engineer (Elect.), No.I & II Circle, Bhubaneswar/ Cuttack / Dhenkanal for kind information & wide circulation.
- 4) The General Manager (Elect.), Electrical Store Division, Cuttack for kind information.
- 5) The E.E. (Elect.), KED-I, Kendrapara / KED-II, Marshaghai / PED, Paradeep / JED, Jagatsinghpur for information and wide publication in their Notice Board.'
- 6) The S.D.O. (Elect.) Central Store Sub-Division, Choudwar for information & necessary action.
- 7) The Cashier of this office for information & necessary action.
- 8) Notice Board of this office for wide publication.

\*\*\*\*

Annexure-I

**GUARANTEED TECHNICAL PARTICULARS FOR TWIN CORE PVC INSULATED SERVICE CABLES**  
Tender Specification. No. CESU/ 347/ 2017-18

Sl No.	Description	Twin Core 4 mm <sup>2</sup> Aluminum PVC Insulated Service Cable
1	Tendered Cable Size / Applicable Standard	2CX4mm <sup>2</sup> / IS:694, IS: 8130/1984, IS: 10810/1984
2	Voltage grade and type of Cable	1100V / AYY
3	Suitable for earthed / un earthed system	Both
4	Continuous current carrying Capacity	
	a) In ground	32
	b) In Air	27
5	Maximum DC Resistance / core at 20° C (Ω/km)	7.41
6	Conductor	
	a) Material and its composition	H2/ H4 grade Aluminum Class- 1 (IS- 8130/84)
	b) Cross-section Area	4 sq. mm
	c) no of Strands/ Dia of each one	1 / 2.30
	d) formation of Conductor	Solid Circular
	e) tensile strength	100 N/ mm <sup>2</sup>
7	INSULATION	
	a) Composition of Insulation	PVC Type-A
	b) Nom. Thickness of Insulation (In mm)	0.80
	c) Diameter of Over Insulation (Approx.)	3.9 mm
	d) Min volume resistivity at 20° C	1x10 <sup>13</sup> Ω- CM
	e) Minimum Tensile Strength of insulation	12.5N/mm <sup>2</sup>
	f) Min volume resistivity at 70° C	1x10 <sup>10</sup> Ω - CM
	g) Min Elongation(%) at break	150
8	Methods of core Identification	RED & BLACK
9	OUTER SHEATH	
	a) Materials	PVC Type ST-1
	b) Thickness of sheath(mm) nominal	1.0
	c) Min. Tensile Strength	12.5 N/ mm <sup>2</sup>
	d) Min elongation at Break (%)	150
10	Conductor temp. corresponding to continuous current (° C)	70

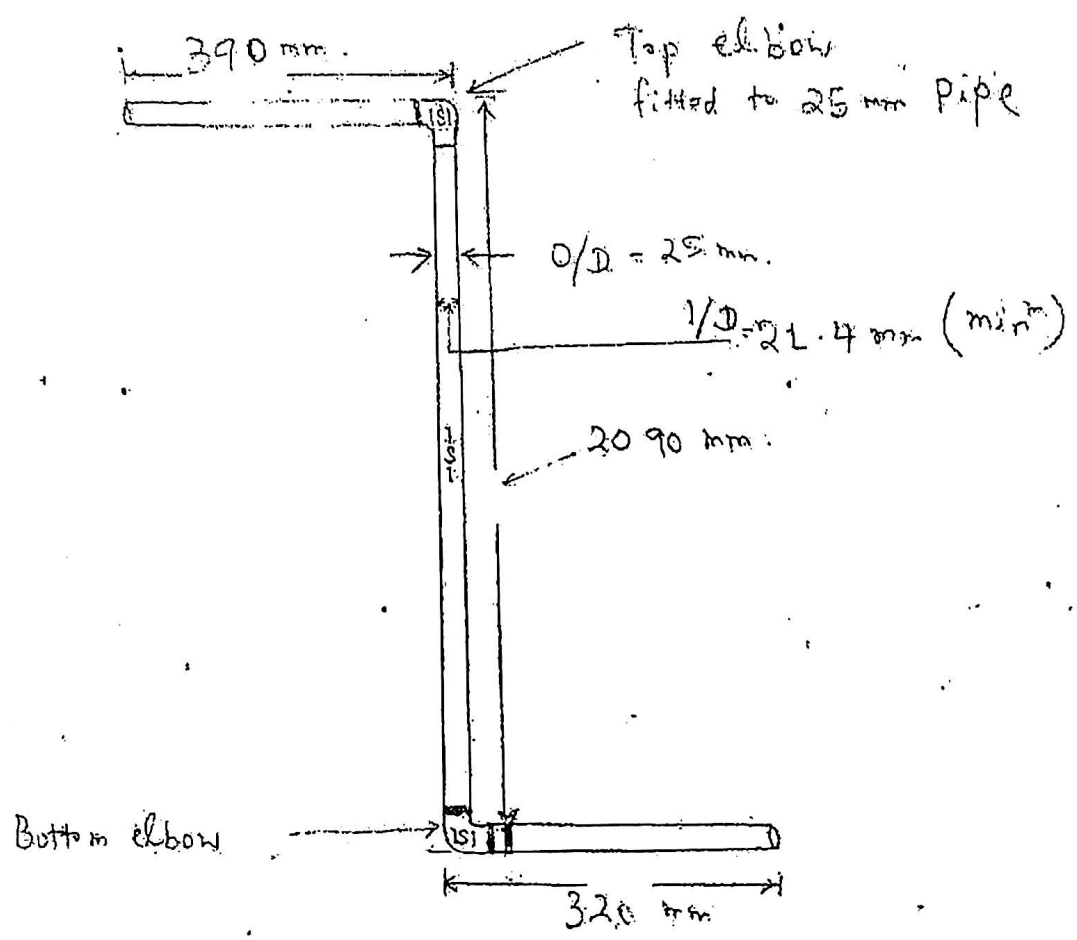
*[Handwritten signature]*

11	Packing Length of Cable	1000/500/ 250 Mtrs
12	Embossing / Printing to be provided on surface of insulation of cable at each one meter interval.	PO Order No. & Date, SAUBHAGYA-CESU, ISI Mark/ ISS No, Size- Twin Core 4 mm <sup>2</sup> ,Aluminum, 0.65 /1.1KV / Manufacturer Name/Trade Mark
13	High Voltage Test	3 KV rms for 5 minute
14	Other Tests	As per IS: 694, IS: 10810
15	Drum length	To be supplied in drum/bobbin of 1000/500/ 250 mtr length

- N.B : 1) For values not available in relevant ISS, values indicated in our GTP / Tender Specification shall be valid.  
2) In case of discrepancies between values of ISS & GTP, better will prevail.  
3) Average diameters of strands of each cable shall be ascertained by physical measurement after opening the strands of each phase of a finished Service Cable offered for inspection.

  
Chief General Manager (Technical)

PIPE CONNECTION DETAIL  
 Tender specification No: CESU/309/2017-18



- \* Total length of each Bracket/pipe - 2.2 mtr.
- \* Medium Duty (IS marked) (IS: 9537-3) (Super Erecting) (IS: 2509)

Not to scale

**APPROVED**  
  
 22-2-2018  
 Chief General Manager (Tech.)  
 CESU, BBSR

(E)

**INSULATED GI WIRE (10 SWG)**  
**TECHNICAL SPECIFICATIONS**

**II. SCOPE**

This specification covers manufacture, testing and supply of hot dip galvanized MS solid wire of sizes 10 SWG.

**III. APPLICABLE STANDARDS**

**ZINC**

Zinc shall conform to grade Zen 98 specified in IS 209& IS:4826-1979 with upto date amendments.

**ZINC COATING**

Zinc coating shall be in accordance with IS:4826-1979 for heavily coated hard quality.

**GALVANISING**

Galvanizing shall be as per IS:2629-1966, IS 4826-1979 with up to date amendments

**UNIFORMITY OF ZINC COATING**

Uniformity of zinc coating shall be as per IS:2633-1972 with up to date amendments

**TENSILE PROPERTIES**

The tensile strength of the wire after galvanizing shall be between 55-95 Kg/sq.mm ensuring MS wire mechanical properties as per IS-28:1972 8.1 to 8.3.

**FREEDOM FROM DEFECTS**

As per IS:2629-1966 & 4826-1979 & with up to date amendments be ensured

**IV. MATERIAL**

The mild steel wire shall have chemical composition maximum sulphur- 0.055%, phosphorous - 0.055%,Carbon 0.25%.

**V. TESTS**

During the process of manufacturer/fabrication and all tests for chemical, mechanical, galvanizing as per IS- 280-1979, IS1521-1972, IS-1755-1961, IS:6745-1972 & 4826-1979 shall be carried out. The certificate towards, chemical composition shall be submitted for each lot offered for inspection.

The following tests shall be conducted in presence of the representative of the purchaser:

Visual physical inspection and measurement of specified dimension

Coating test as per IS:1755-1961, IS 2629-1966, IS:2633-1972, IS:4826-1969

Adhesion test as per IS:1755-1961,IS:2629-1966,IS:2633-1972,IS:4826-1969,&IS:6745-1972.

Tensile strength and breaking load and elongation determined as per IS:1521-1972 with up to date amendments

**VI. PACKING & MARKING**

Packing shall be as per IS:280-1979 and each coil shall be between 50-100 kg. marking shall be as per IS:280-1972.